

Our comprehensive range of processing services covers everything from basic gas profiling to high performance laser cutting. But that's not all! We also offer drilling, countersinking, folding, hard stamping, marking, shearing and tapping. Thanks to our on-going investment in advanced technology, we're confident we can handle virtually any processing requirement for you, quickly and accurately.

Our skilled technicians and operatives will interpret your designs and ensure your finished materials are delivered in perfect condition, allowing you to shave hours off production schedules, streamline production and cut labour costs.

To find out what ParkerProcessing can do to help your business save money, call us now on 01227 783444, or visit [www.parkersteel.co.uk](http://www.parkersteel.co.uk)



**Head Office**  
**Canterbury**

Vauxhall Industrial Road, Canterbury, Kent CT1 1HD

**Distribution Depots**  
**Andover**

Smeaton Road, Portway Industrial Estate, Andover, Hants, SP10 3LF

**Cambridge**

Pembroke Avenue, Denny Industrial Centre, Waterbeach, Cambridge CB5 9PB

**Gatwick**

Rutherford Way, Crawley Industrial Estate, Crawley, West Sussex RH10 2PF

**Steel & Non Ferrous Sales**

Telephone 08705 783333  
Free Fax 0800 521932

**Laser Cutting & Profile Sales**

Telephone 08705 783444  
Fax 01227 783805  
Email: [profile.sales@parkersteel.co.uk](mailto:profile.sales@parkersteel.co.uk)

**Engineering Tool Sales**

Telephone 08705 783222  
Free Fax 0800 521932

**Account Enquiries**

Telephone 01227 783476  
Fax 01227 783450

**Despatch Enquiries**

Telephone 01227 783477  
Fax 01227 783392

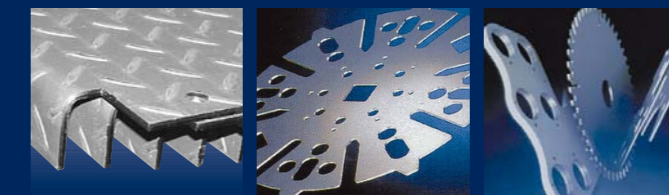
**Website Address**

[www.parkersteel.co.uk](http://www.parkersteel.co.uk)  
[www.parkertools.co.uk](http://www.parkertools.co.uk)

**E-mail Address**

[sales@parkersteel.co.uk](mailto:sales@parkersteel.co.uk)  
[sales@parkertools.co.uk](mailto:sales@parkertools.co.uk)

**ParkerProcessing**  
*Can Do!*



**ParkerProcessing** *Can Do!*

Design & Production SEA 01227 768005



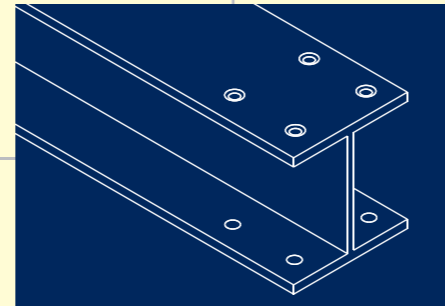
# Processing that pays!



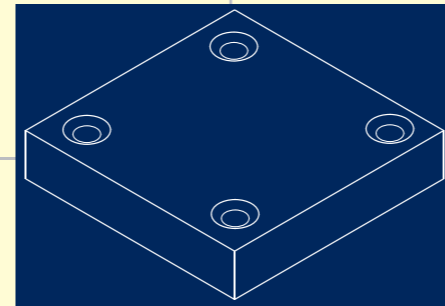
If you want to cut your processing costs, talk to us. However demanding your deadline or specifications, we can deliver perfectly processed materials at extremely competitive prices. Using our machines and manpower saves you time, money and hassle - and you get the finished components you need, when you need them.

You'll be surprised what ParkerProcessing *Can Do!* for you...

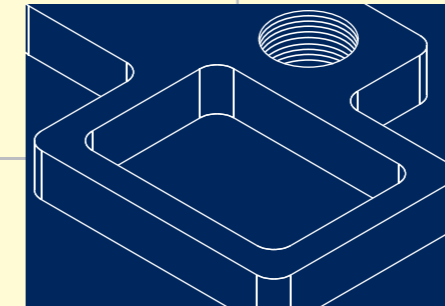
COUNTERSINKING CUTTING & BENDING DRILLING ETCHING FOLDING  
 HARD STAMPING LASER CUTTING MARKING MILLING PLASMA CUTTING PLOUGH GRINDING  
 PRIMING PUNCHING SAW CUTTING SHEARING SHOTBLASTING TAPPING



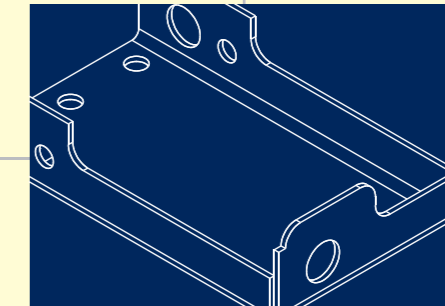
SAWN AND DRILLED



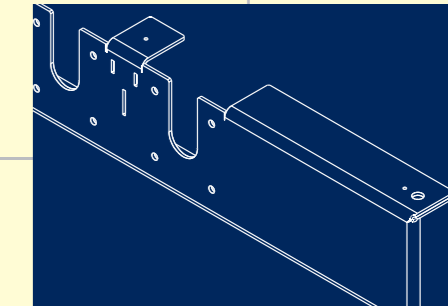
PLASMA CUT AND COUNTERSUNK



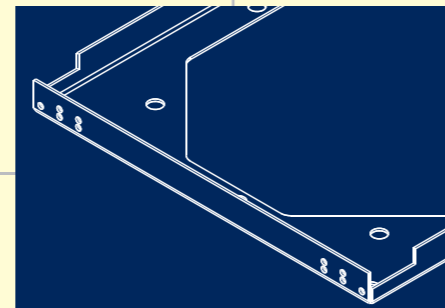
PLASMA CUT, DRILLED AND TAPPED



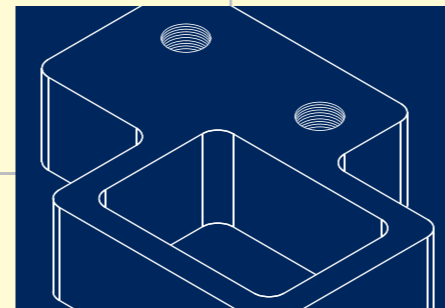
LASER CUT AND FOLDED



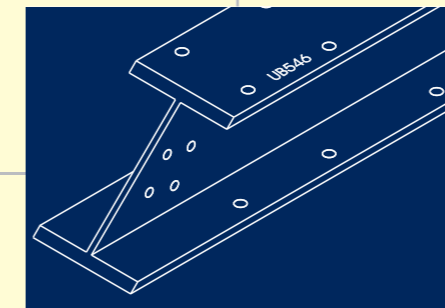
LASER CUT AND FOLDED



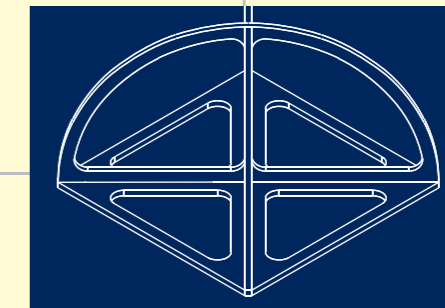
PLASMA CUT AND FORMED



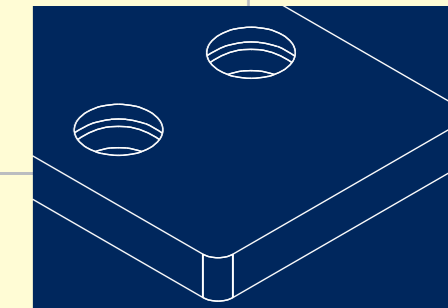
DRILLED, TAPPED AND FLAME CUT



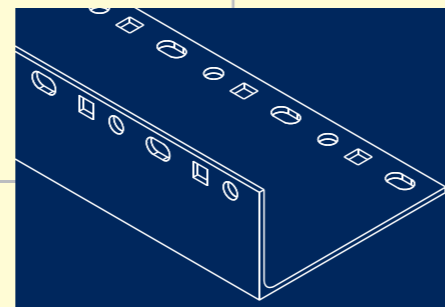
SAWN, DRILLED AND HARD STAMPED



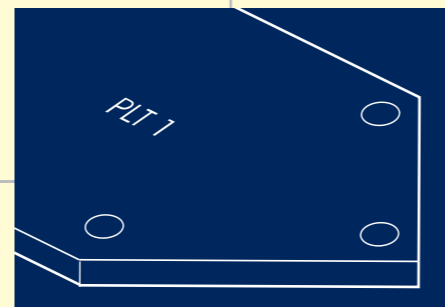
LASER CUT



PLASMA CUT AND COUNTER BORED



SHEARED AND PUNCHED



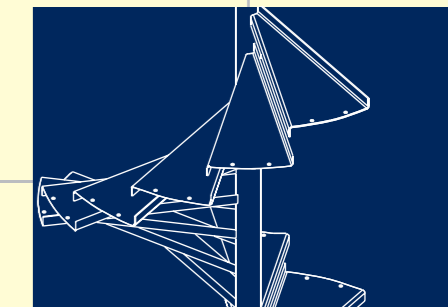
SHEARED AND PUNCHED



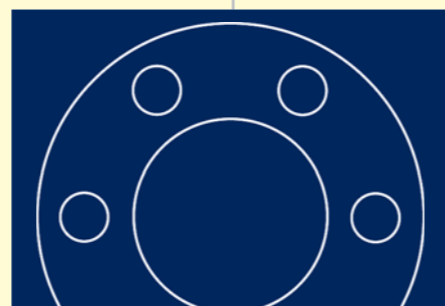
FLAME CUT AND HARD STAMPED



LASER CUT AND DRILLED STAIR PARTS



SPIRAL TREADS LASER CUT AND FORMED



LASER CUT



LASER CUT



CUT AND LASER MARKED